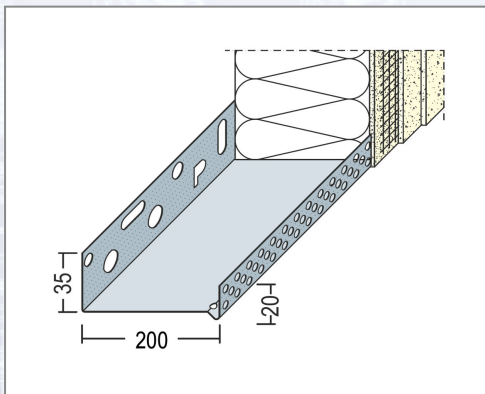


Sokl profili alu za ravne površine PROTEKTOR



Profil U-oblika za WDV sisteme, odgovarajući za fasadne ploče različitih debljina.

Art.Nr.	Beschreibung	Einheit
Z490820	Početni Sokeltrogprofil WDVS Alu 200mm 90820 (9218) 2,50lfm/Sta, 6Sta/Bd, 39Bd/Pal	M
Z490818	Sokeltrogprofil WDVS Alu 180mm 90818 (9216) 2,50lfm/Sta, 6Sta/Bd, 42Bd/Pal	M
Z490814	Početni koritasti-Sokeltrogprofil WDVS Alu 140mm 90814 (9213) 2,50lfm/Sta, 6Sta/Bd, 56Bd/Pal	M
Z490816	Sokeltrogprofil WDVS Alu 160mm 90816 (9214) 2,50lfm/Sta, 6Sta/Bd, 56Bd/Pal	M
Z490603	Sokeltrogprofil WDVS Alu 30mm 90603 (9143) 2,50lfm/Sta, 10Sta/Bd	M
Z490604	Sokeltrogprofil WDVS Alu 40mm 90604 (9144) 2,50lfm/Sta, 10Sta/Bd	M
Z490605	Početni Sokeltrogprofil WDVS Alu 50mm 90605 (9145) 2,50lfm/Sta, 10Sta/Bd	M
Z490606	Sokeltrogprofil WDVS Alu 60mm 90606 (9146) 2,50lfm/Sta, 10Sta/Bd, 91Bd/Pal	M

PRODUKTINFO

Z490810	Početni koritasti-Sockeltrogprofil WDVS Alu 100mm 90810 (9150) 2,50lfm/Sta, 10Sta/Bd, 54Bd/Pal	M
Z490812	Početni Sockeltrogprofil WDVS Alu 120mm 90812 (9212) 2,50lfm/Sta, 6Sta/Bd, 70Bd/Pal	M

Standorte / Kontakt

GRAZ

Lorencic Bauservice GmbH
Puchstraße 208
8055 Graz

Tel.: +43 316 47 25 64-0
Fax: +43 316 47 25 64-77
graz@lorencic.com

WIEN - BRUNN / GEBIRGE

Lorencic Bauservice GmbH
Anton-Bruckner-Gasse 20
2345 Brunn/Gebirge

Tel.: +43 2236 37 97 00-0
Fax: +43 2236 37 97 00-75
wien@lorencic.at

SALZBURG - WALS

Lorencic Bauservice GmbH
Hölzlstraße 2
5071 Wals

Tel.: +43 662 88 28 26-0
Fax: +43 662 88 28 26-20
salzburg@lorencic.at

KLAGENFURT - EBENTHAL

Lorencic Bauservice GmbH
Keplerstraße 2
9065 Ebenthal i.K.

Tel.: +43 463 36 123-0
Fax: +43 463 36 123-17
klagenfurt@lorencic.at

WELS

Lorencic Bauservice GmbH
Paracelsusstraße 22
4600 Wels

Tel.: +43 7242 44 07 6-0
Fax: +43 7242 44 07 6-3
wels@lorencic.at

INNSBRUCK - HALL

Lorencic Bauservice GmbH
Schlögglstraße 81
6060 Hall i. Tirol

Tel.: +43 5223 43926-0
Fax: +43 5223 43926 6210
innsbruck@lorencic.at